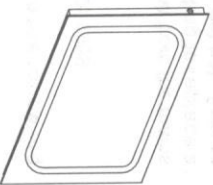


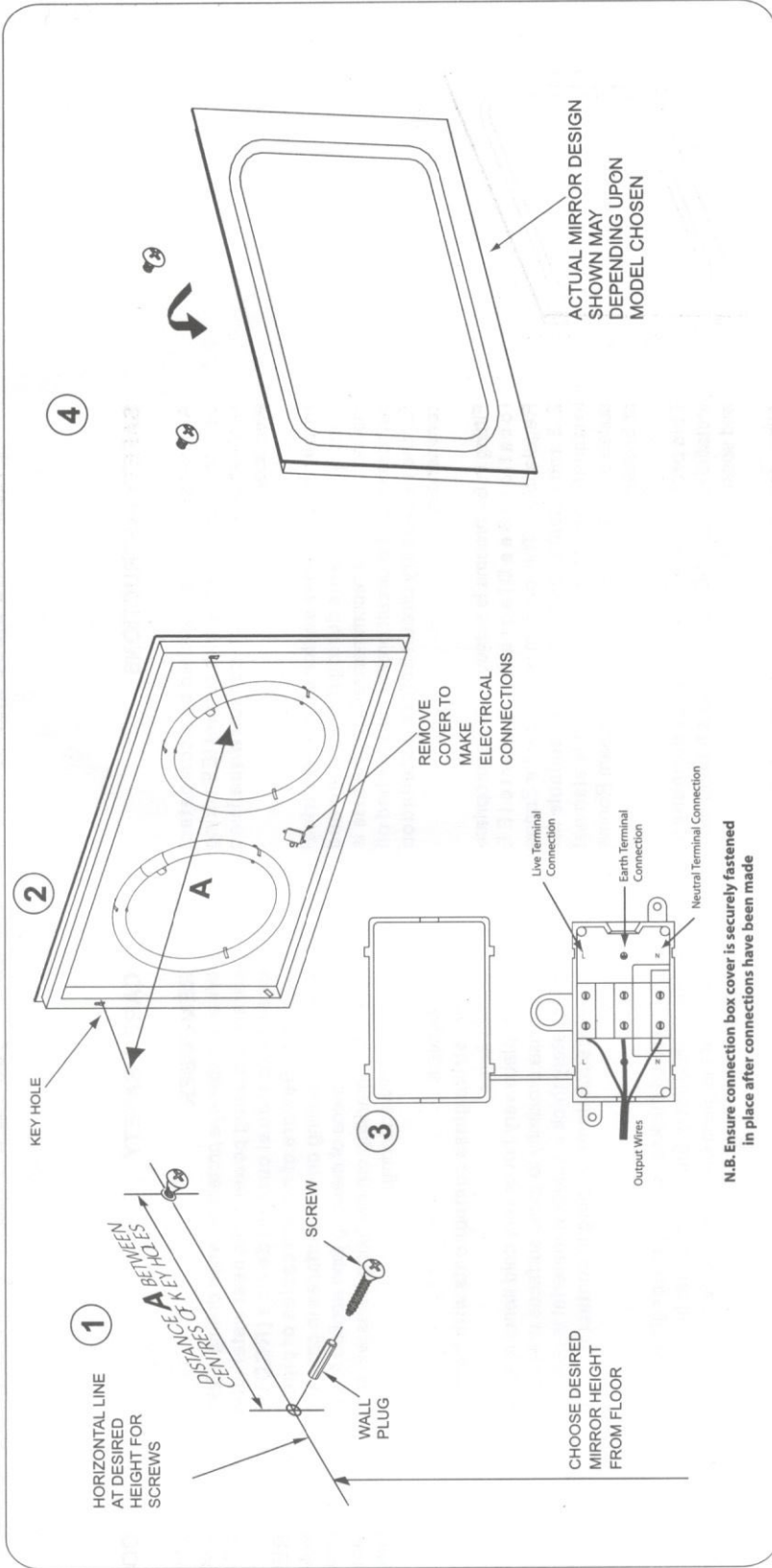


# INSTALLATION INSTRUCTIONS FOR MIRRORS

Please read these instructions carefully before you start. Please retain for future reference.

| DESCRIPTION   | QTY |
|---|-----|
|  MIRROR ASSEMBLY | 1   |
|  WALL SCREW      | 4   |
|  WALL PLUG       | 4   |



## PROCEDURE -

Ensure the wall surface is of suitable strength and construction.

This mirror can be mounted either portrait or landscape (excluding Solar). The drain hole that is not in use i.e. whichever is not at the bottom of the product should be sealed using the rubber grommet supplied.

**Note:** Wall plugs provided are suitable for Stone or Brick walls. For other wall types use appropriate wall plugs. If in doubt consult an expert.

**1)** Carefully remove the mirror by removing the retaining screws on all 4 sides of the mirror body and remove from the main body. Place the mirror, screws and washers in a safe place for now.

**2)** Mark the desired height of the mirror and draw a horizontal line on the wall (using a spirit level) which corresponds with the height of the top holes in the back of the mirror body.

Holding the mirror body in place on the horizontal line, mark off all 4 holes in the back of the mirror body. Also mark off where the electrical supply cable must be placed in case this needs to be chased out locally for the installation. Place the mirror body to one side and drill the holes as necessary for the wall plugs. Insert the wall plugs and screw the mirror body in position having fed the power supply cable through the rubber grommet in the mirror body. Make sure that all screws are secure.

**3) Ensure that the electrical supply is turned off at the mains.** Open the cover from the connection box inside the mirror body

**Colour Coding:**  
 L - Live = Brown  
 N - Neutral = Blue  
 ⊕ - Earth = Green & Yellow



Strip the mains PVC supply cable as necessary. Thread the power supply through the rubber grommet on the connection box and make the necessary connections in accordance with the current IEE Regulations. Firmly tighten all terminal connections.

### ! IF IN DOUBT CONSULT YOUR ELECTRICIAN !

**IMPORTANT:** Loose connections can lead to over heating. Excessive temperatures may lead to scorching of the plastic components, and in extreme cases may even melt. Charring of components is always a consequence of faulty installation or maintenance, and any claims are excluded from the warranty.

**1)** Replace the mirror with the brackets inside the body, aligning the holes in the brackets with the screw holes. Make sure that the glass fits completely flat on the face of the body. Fasten with the screws and washers removed in stage 1.

**2)** Turn back on the electrical supply so that your Mirror is operational.

# INSTALLATION INSTRUCTIONS FOR MIRRORS

Please read these instructions carefully before you start. Please retain for future reference.

## SAFETY INSTRUCTIONS

All fittings must be installed by a competent person, in accordance with current IEE wiring regulations. If in doubt, consult a qualified electrician.

**Important** - Always switch off the electrical supply at the mains during installation and maintenance. It is recommended that the fuse is withdrawn or the circuit breaker is switched off for the necessary circuit before installation commences.

Fitting in Bathrooms is subject to the appropriate location (**See Diagram**). Refer to IEE Regulations. This product is suitable for Zones 2, 3 and outside zones. It is **NOT** suitable for installation in Zone 0 or Zone 1. It is also not suitable for installation in Saunas, Steam Rooms or Shower Cubicles.

This product is only suitable for permanent installation. **DO NOT** connect to a trailing plug and socket outlet.

Although this product has an Ingress Protection rating of IP44, it is only suitable for indoor use.

Do not attach the product to surfaces that are damp or otherwise electrically conductive.

The product should be positioned well away from curtains and other fabrics. Never cover the mirror.

Always ensure that the correct bulb is used and that the maximum bulb rating is not exceeded.

## CARE & SAFETY

### REMEMBER

Wear suitable eye protection when drilling. Take care when using power tools near water - the use of a residual current device (RCD) is advised. Beware of hidden cables or pipes. Take care if drilling on tiled surfaces in case the drill slips. A piece of masking tape applied to the wall before marking out the fixing holes will stop the drill from wandering.

### WARNINGS

Do not strike glass components with hard or pointed items. Do not place very hot or very cold items against or in close proximity to glass surfaces unless an adequately thick insulation material is used to prevent such items coming in contact with the glass.

The nominal thickness of the mirror glass used in this product is 5mm and is film backed for safety. If the glass becomes chipped or broken, replace immediately.

This product could be dangerous and installation is only to be carried out by a competent person.

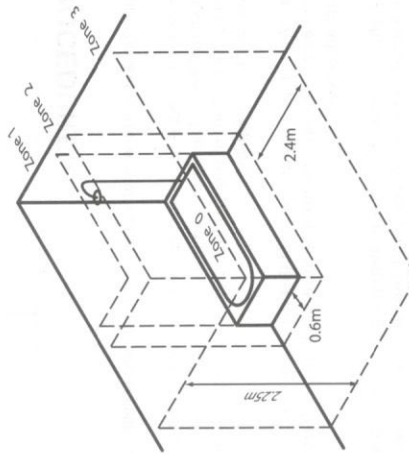
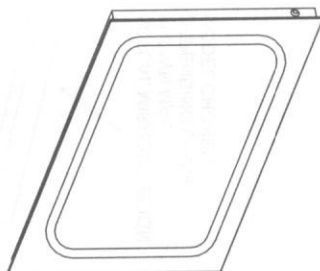
It is recommended that the unit is cleaned with a soft dry cloth when turned off. Never use cleaning agents or abrasive materials on any type of surface finish. Do not allow moisture to come into contact with the lamp.

## COMPLIANCE

This product complies with the following Electrical Safety Standards:  
EN 60598-1: 2008, EN 60598-2: 1989.

## REPLACING LAMPS

**WARNING** - Disconnect the unit from the mains power supply before attempting to replace a lamp. Fluorescent lamps may get hot. Ensure lamps are sufficiently cooled before changing.



Distances from a Bath Tub or Shower Tray