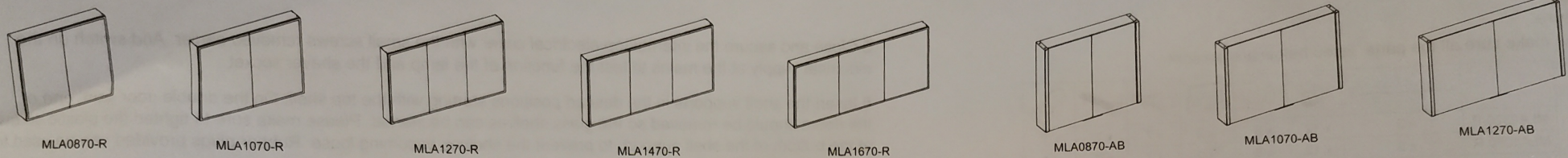


ILLUMINATED CABINET INSTALLATION INSTRUCTIONS

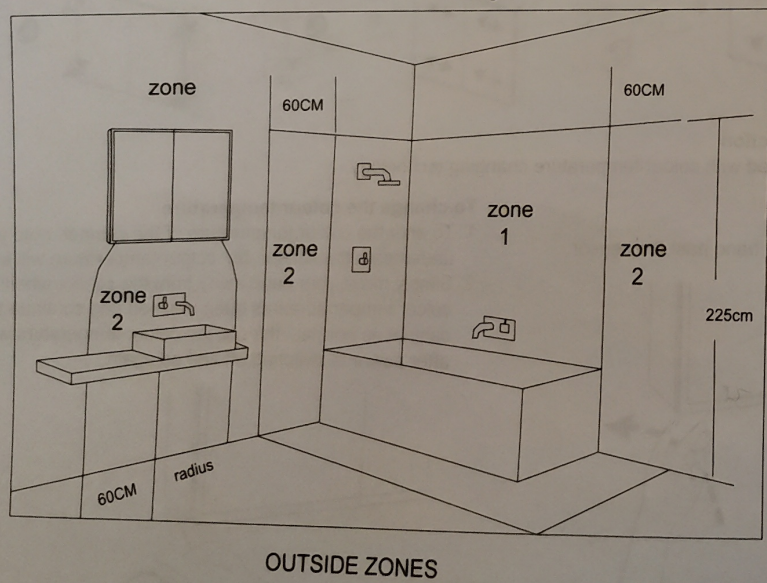


Please read these instructions carefully before installation.
Installation should be carried out by a qualified electrician.
Please leave a copy for the user/maintenance engineer for future reference.

GENERAL

- THIS PRODUCT MUST BE EARTHED. IF THERE ARE ONLY TWO WIRES COMING FROM YOUR POWER SUPPLY IT MEANS THAT THIS FITTING BE WIRED TO AN UNEARTHED CIRCUIT. CONTACT A QUALIFIED ELECTRICIAN TO INSTALL A SUITABLE EARTH FACILITY.
- ENSURE ELECTRICITY IS SWITCHED OFF AT THE MAINS BEFORE INSTALLING OF MAINTAINING ANY ELECTRICAL PRODUCT.
- THIS PRODUCT IS FOR IN DOOR USE ONLY.
- THIS PRODUCT IS IP44 RATED AND SHOULD BE INSTALLED ONLY.
- IN THE ZONE 2 AND 3 OF THE BATHROOM AS DEFINED BY THE IEE WIRING REGULATIONS (SEE DIAGRAM BELOW)
- REPLACE FAILED LAMPS IMMEDIATELY. ALLOW THE GLASS, LAMP AND FITTING TO COOL BEFORE REPLACING THE LAMP.

IEE Bathrom Zones Diagram



IMPORTANT

- When working at heights, please use a suitable platform to work from.
- **Please note:** For new installations, check for any electrical cables or pipe work (gas/water) in the vicinity of the intended mounting point for the product, before proceeding with the installation.
- Ensure that the fixing location is able to take the weight of the complete fitting. Wear suitable eye protection when drilling. Be careful when using power tools near water.

Do NOT strike mirror glass with hard or pointed items. It is recommended that the product is cleaned with a soft, dry, non abrasive cloth. Do NOT use cleaning agents or abrasive materials on any type of finished surface. Do NOT allow moisture to come into contact with the electrical components.

Compliance

This product complies with the following safety standards:
BS EN 60598-1: 2008+A11: 2009. EN60598-2-1: 1989

Wiring

This product is manufactured to class I category and requires an earth connection

COLOUR CODING

L - Live = Brown
N - Neutral = Blue

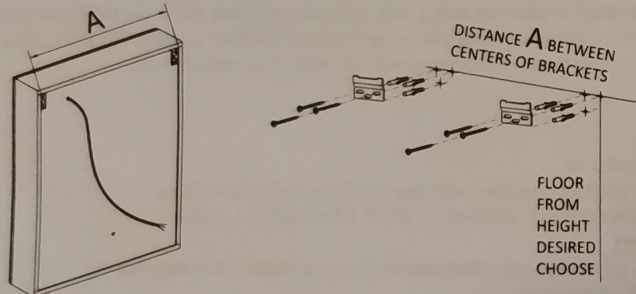
ILLUMINATED CABINET INSTALLATION INSTRUCTIONS

Installation procedure

1. Open the carton and make sure all the parts listed below are present

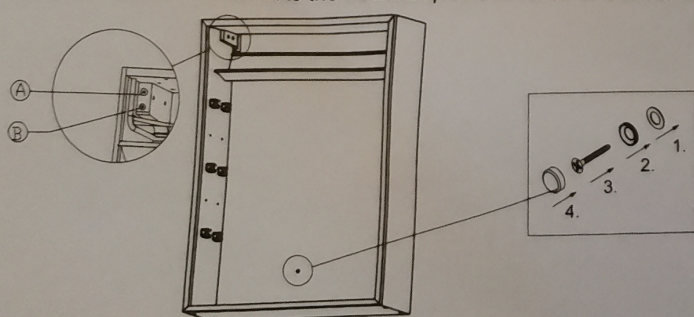
| Model | Bracket | Shelf Support | Shelf | Door Hinge | Door Hinge Pin | Door Hinge Pin Cap | Door Hinge Pin Washer | Door Hinge Pin Nut |
|------------|---------|---------------|-------|------------|----------------|--------------------|-----------------------|--------------------|
| MLA0870-R | x 3 | x 12 | x 8 | x 2 | x 7 | x 7 | x 1 | |
| MLA1070-R | x 3 | x 12 | x 8 | x 2 | x 7 | x 7 | x 1 | |
| MLA1270-R | x 6 | x 24 | x 16 | x 3 | x 10 | x 10 | x 1 | |
| MLA1470-R | x 6 | x 24 | x 16 | x 3 | x 10 | x 10 | x 1 | |
| MLA1670-R | x 6 | x 24 | x 16 | x 3 | x 10 | x 10 | x 1 | |
| MLA0870-AB | x 3 | x 12 | x 8 | x 2 | x 7 | x 7 | x 1 | |
| MLA1070-AB | x 3 | x 12 | x 8 | x 2 | x 7 | x 7 | x 1 | |
| MLA1270-AB | x 3 | x 12 | x 8 | x 2 | x 7 | x 7 | x 1 | |

2. Mark a desired height of the mirror and draw a horizontal line on the wall which corresponds with the height of the cabinet hangers. Drill the required holes and insert the wall plugs. Note: Wall plugs supplied are only suitable for solid stone/brick walls. Then screw the brackets to the wall using the screws provided. Please ensure the screws are fully tight.



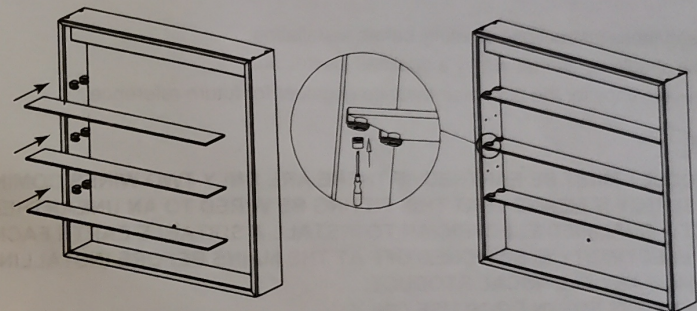
3. Make the electrical connections, make sure to turn off the electrical supply at the mains. Connection must be made in accordance with the latest IEE regulations. This cabinet is manufactured to Class I and requires an earth connection

4. Hang the cabinet on the wall bracket. The claws on the cabinet hangers must be securely located on the wall brackets. Using a spirit level to adjust the angle of the cabinet by turning the screw A with a cross head screwdriver. When the angle is properly adjusted, tightening the screw B on both hinges. Then secure the base of the cabinet to the wall with provided screw and cover-cap.

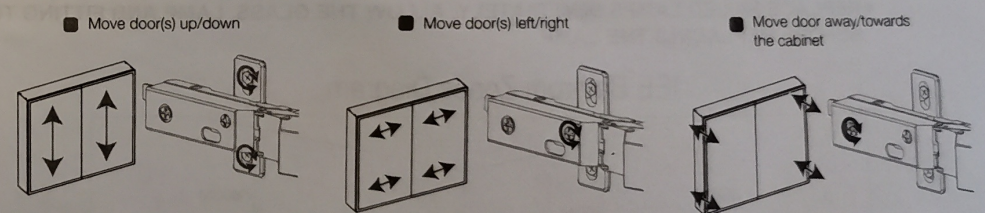


5. Close and secure the internal top electrical cover with the small screws removed earlier. And switch on the electrical supply at the mains to test the function of the lamp and the shaver socket.

6. Insert the shelf supports in the desired positions starting with the top shelf. On the double door item, one of the doors should be removed so the glass shelves can be inserted. Please make sure to tighten the plastic screw at the bottom of the shelf support to prevent the shelves becoming loose. Rubber plugs provided can be used to cover unused shelf holes.



7. Re-attach the door(s) ensuring the hinges fully locate and click back into position. If necessary, the hinges can be adjusted in order to reposition the door(s).

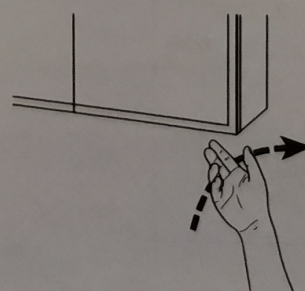


Operating Instruction

This cabinet is fitted with colour temperature changing technology.

To switch on/off

Slowly move your hand past the sensor.



To change the colour temperature

1. To alter the colour temperature of the cabinet, hold your hand underneath the sensor, the colour temperature will start to change.
2. Simply move your hand away from the sensor when the desired colour temperature has been reached and continue to operate the cabinet as normal - the chosen colour temperature will remain even after power is switched off and on again.

